

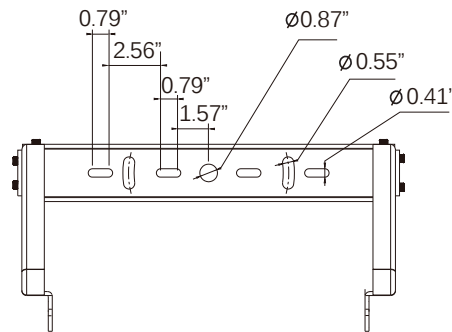
ADVANCED HIGH CEILING Bolt Series - Floodlight Bracket



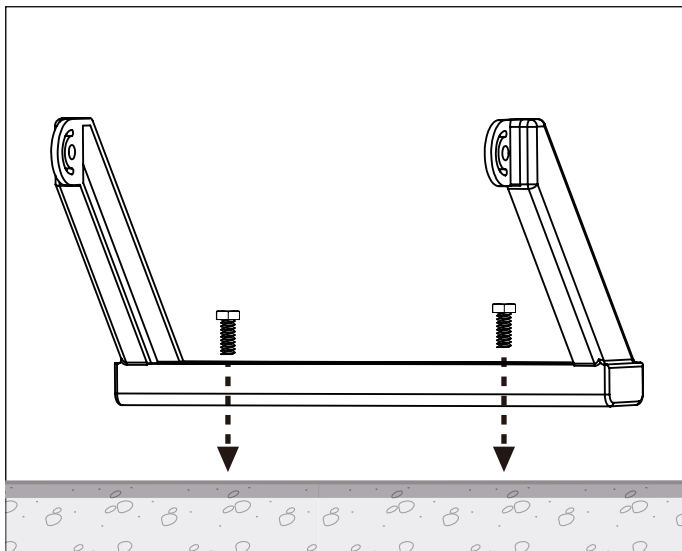
IMPORTANT SAFETY INFORMATION. READ AND FOLLOW ALL SAFETY INSTRUCTIONS

IMPORTANT SAFETY INFORMATION. READ AND FOLLOW ALL SAFETY INSTRUCTIONS. Before wiring to power supply and during servicing or relamping, turn off power at fuse or circuit breaker. All servicing or relamping must be performed by qualified service personnel. Product must be grounded to avoid potential electric shock or other potential hazard. Product must be at locations and at heights and in a manner consistent with its intended use, and in compliance with Electrical Code and local codes.

SAVE THESE INSTRUCTIONS FOR FUTURE REFERENCE.

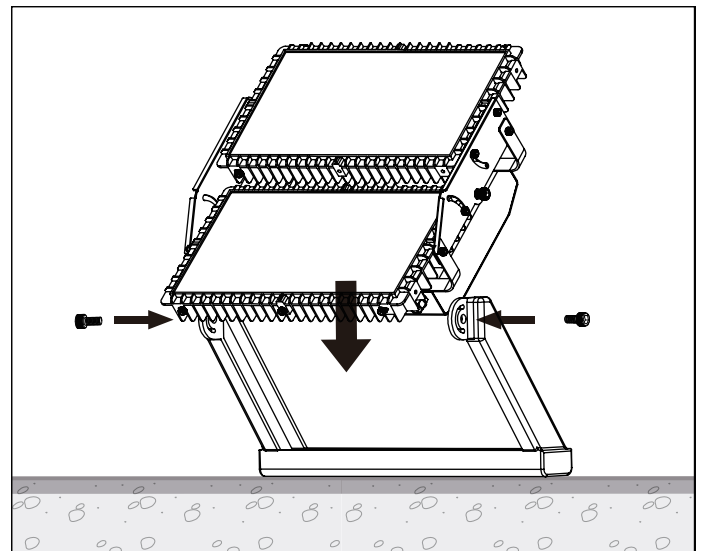


Floodlight Bracket



Step 1

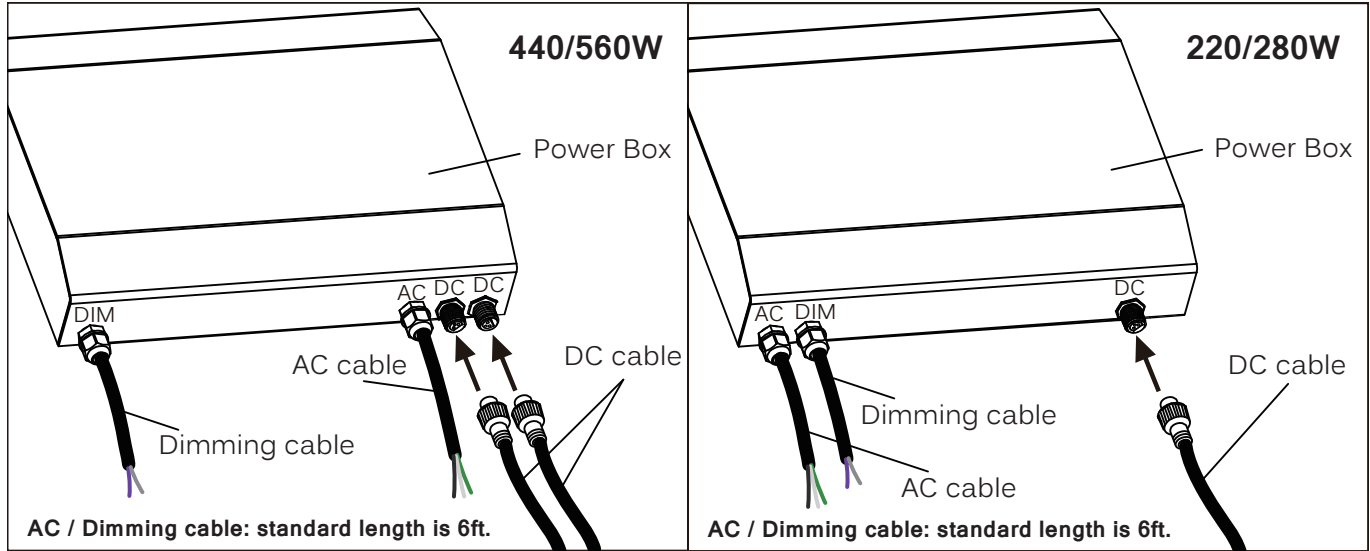
Secure floodlight bracket to the ground with mounting hardware that is sufficient to support weight of LED fixture and power box.



Step 2

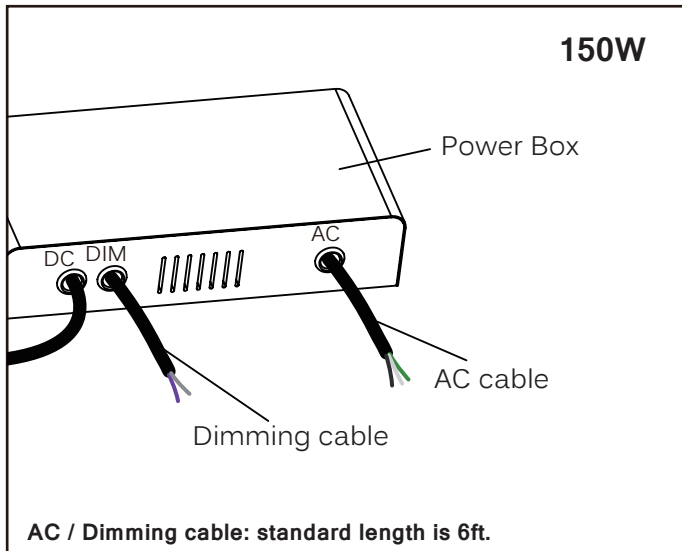
Secure LED fixture to bracket with provided screws.

ADVANCED HIGH CEILING Bolt Series - Floodlight Bracket

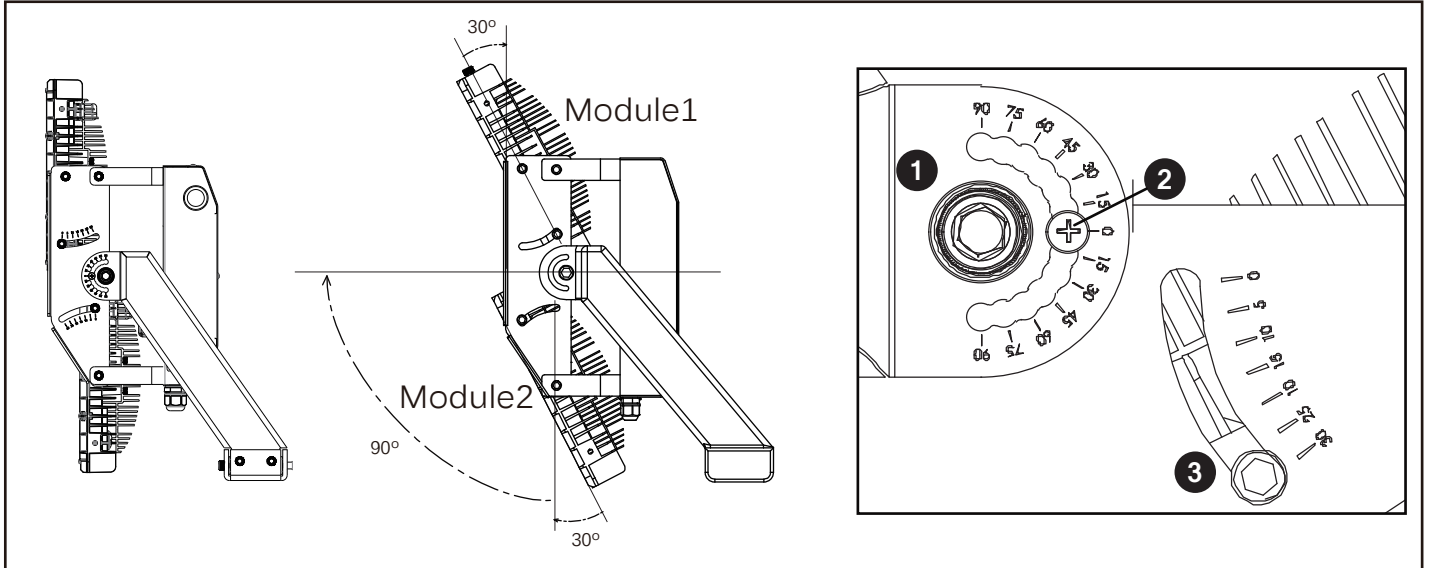


Step 3

Connect DC Cable to the DC Connector on powerbox.



ADVANCED HIGH CEILING Bolt Series - Floodlight Bracket



Step 4

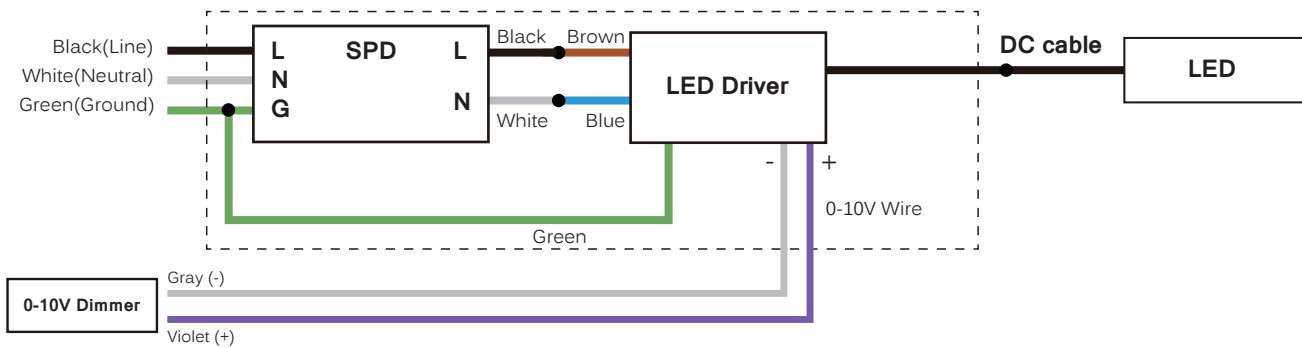
Loosen ① and ② to rotate LED fixture; loosen ③ to tilt module.

ADVANCED HIGH CEILING Bolt Series

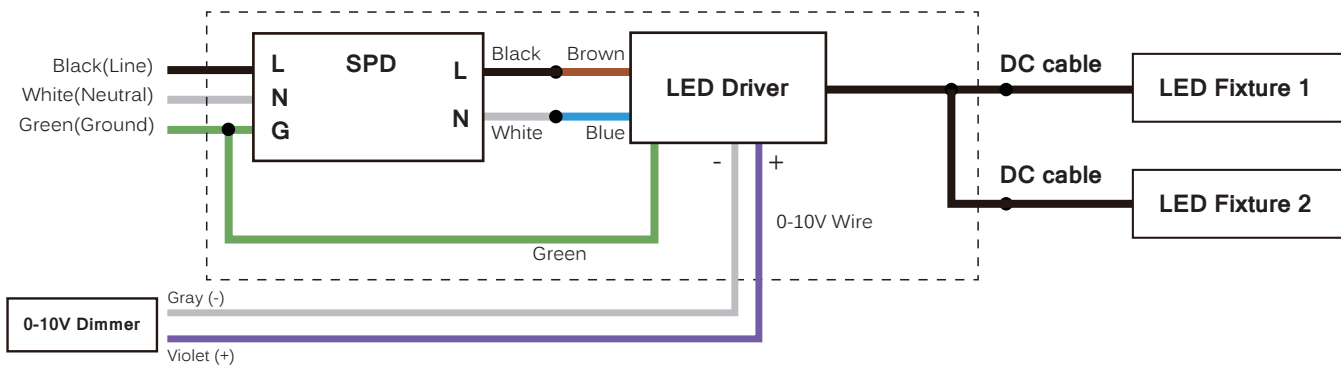


Wiring Diagram

Standard 0-10V Dimming (BTS-150-UNV-STV / BTS-220-UNV-STV / BTS-280-UNV-STV) 0-10V Circuit Diagram



Standard 0-10V Dimming (BTS-440-UNV-STV / BTS-560-UNV-STV) 0-10V Circuit Diagram



ADVANCED HIGH CEILING Bolt Series



Wiring Diagram

Standard 0-10V Dimming (BTS-440-HVT-STV / BTS-560-HVT-STV) 0-10V Circuit Diagram

